

## SP-D11TG-xMCxx

SFP+ Direct Attach Passive Copper Cables, 1m, 3m, 5m, 7m Reach

### Product Features

- Support for multi-gigabit data rates up to 10.3Gbps
- Data rates backward compatible to 1Gbps
- Hot-pluggable SFP 20PIN footprint
- I/O Connector designed for high speed differential signal applications
- Improved Pluggable FormFactor(IPF) compliant for enhanced EMI/EMC performance
- Compatible to SFP+ MSA
- Operating case temperature:  
Standard: 0 to +70°C



### Applications

- High capacity I/O in Storage Area Networks, Network Attached Storage, and Storage Servers
- Switched fabric I/O such as ultra high bandwidth switches and routers
- Data center cabling infrastructure
- High density connections between networking equipment

### Description

The DAC SFP+ cable assemblies are high-performance, cost effective I/O solutions for 10Gb Ethernet and 10G Fibre Channel applications. SFP+ passive copper modules allow hardware manufacturers to achieve high port density, configurability and utilization at a very low cost and to reduce power budget. The high-speed cable assemblies meet and exceed the performance and reliability requirements stipulated by Gigabit Ethernet and Fibre Channel industry standard.

The transceivers are compatible with SFP Multi-Source Agreement and SFF-8472 digital diagnostics functions.

## Recommended Operating Conditions

Parameter	Symbol	Min	Typical	Max	Unit
Storage Ambient Temperature		-40		+85	°C
Operating Case Temperature	Tc	0		+70	°C

## Systems

Performance	Media
10.3 Gpbs line speed, full duplex Bit error rate: better than 10E-12	Hot-pluggable, industry-standard Small Form-Factor Pluggable(SFP+) copper cable, available as 1m,3m or 5m.

## Pin Descriptions

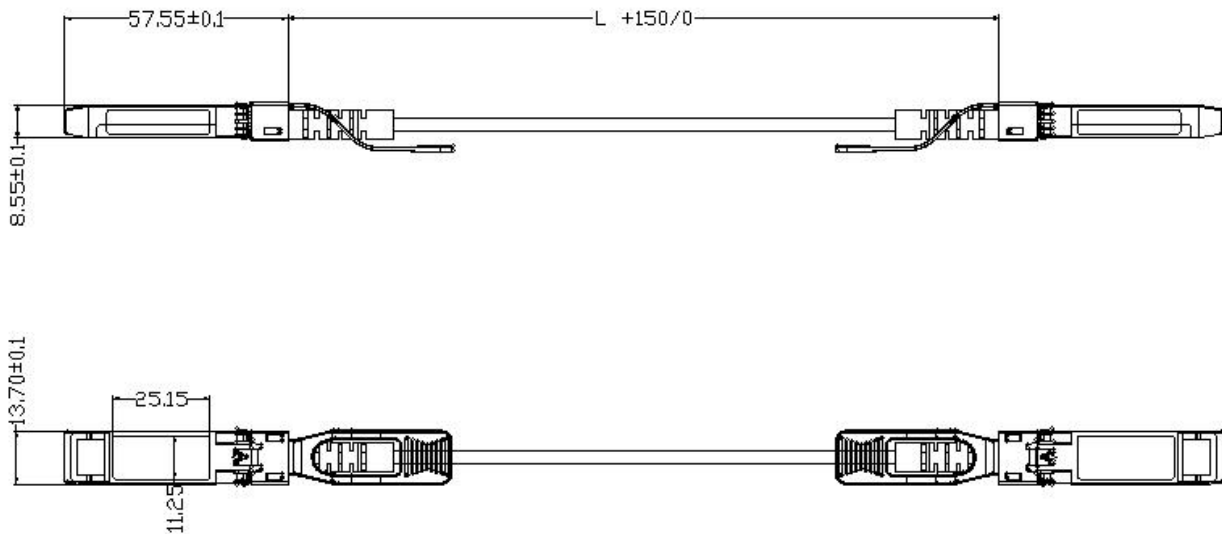
Pin	Logic	Symbol	Name/Description	Notes
1	LV-TTL-O	VeeT	Transmitter Ground	
2	LV-TTL-I	TX_Fault	N/A	1
3	LV-TTL-I/O	TX_DIS	Transmitter Disable	2
4	LV-TTL-I	SDA	Tow Wire Serial Data	
5		SCL	Tow Wire Serial Clock	
6	LV-TTL-I	MOD_DEF0	Module present, connect to VeeT	
7	LV-TTL-O	RS0	N/A	1
8	LV-TTL-I	LOS	LOS of Signal	2
9		RS1	N/A	1
10		VeeR	Reciever Ground	
11	CML-O	VeeR	Reciever Ground	
12	CML-O	RD-	Reciever Data Inverted	
13		RD+	Reciever Data Non-Inverted	
14		VeeR	Reciever Ground	
15		VccR	Reciever Supply 3.3V	
16		VccT	Transmitter Supply 3.3V	
17	CML-I	VeeT	Transmitter Ground	
18	CML_I	TD+	Transmitter Data Non-Inverted	
19		TD-	Transmitter Data Inverted	
20		VeeT	Transmitter Ground	

### Notes:

1. Signals not supported in SFP+ Copper pulled-down to VeeT with 30K ohms resistor
2. Passive cable assemblies do not support LOS and TX\_DIS

## Mechanical Dimensions

Unit:mm



## Ordering information

Part Number	Product Description
SP-D11TG-1MC30	SFP+ 10G DAC 1M 30AWG
SP-D11TG-2MC30	SFP+ 10G DAC 2M 30AWG
SP-D11TG-3MC30	SFP+ 10G DAC 3M 30AWG
SP-D11TG-4MC24	SFP+ 10G DAC 4M 24AWG
SP-D11TG-5MC24	SFP+ 10G DAC 5M 24AWG
SP-D11TG-6MC24	SFP+ 10G DAC 6M 24AWG
SP-D11TG-7MC24	SFP+ 10G DAC 7M 24AWG

## For More Information

Tel:+86-755-23301665

E-mail : [sales@fibertoptech.com](mailto:sales@fibertoptech.com)

Web: <http://www.fibertopsfp.com>